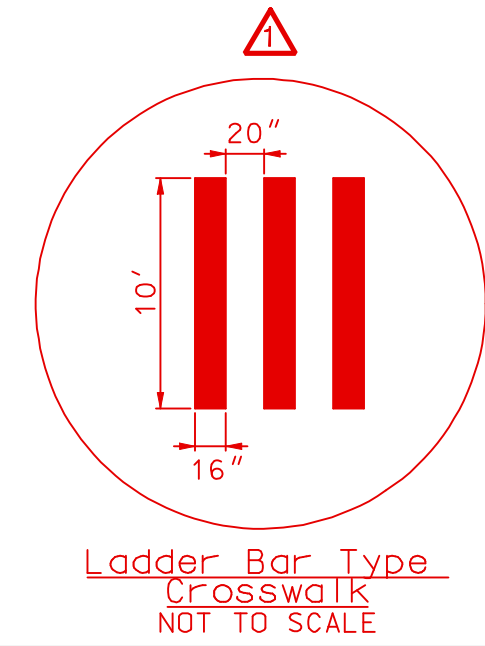
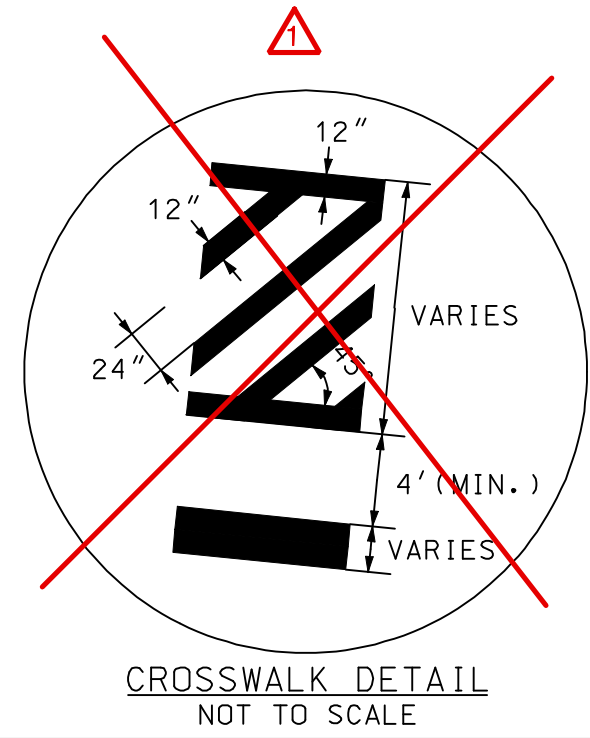


| SIGNING LEGEND | |
|----------------|---|
| SYMBOL | DESCRIPTION |
| | EXISTING GROUND MOUNTED SIGN AND SUPPORTS |
| | PROPOSED GROUND MOUNTED SIGN AND SUPPORTS |
| | EXISTING SIGN TO REMAIN |
| | EXISTING SIGN TO BE REMOVED |
| | PROPOSED SIGN TO BE INSTALLED |
| | PROPOSED TRAFFIC FLOW |
| | PROPOSED GUARDRAIL |



LEGEND

- (A) 5" WHITE THERMOPLASTIC: SOLID
- (B) 5" WHITE THERMOPLASTIC: 3'-9'-3'
- (C) 5" WHITE PAVEMENT MARKINGS PAINT LINES: SOLID
- (D) 5" YELLOW THERMOPLASTIC: SOLID
- (E) 5" DOUBLE YELLOW THERMOPLASTIC: SOLID
- (F) 12" WHITE THERMOPLASTIC: SOLID
- (G) 24" WHITE THERMOPLASTIC: SOLID
- (H) SIGN AND SUPPORT TO BE RELOCATED
- (I) SIGN TO BE REPLACED
- (J) 5" BLUE PAVEMENT MARKINGS PAINT LINES: SOLID
- (K) 8" WHITE THERMOPLASTIC: 4'-4'-4'
- (L) 16" WHITE THERMOPLASTIC: SOLID
- (M) 16" WHITE THERMOPLASTIC: SOLID - LADDER BAR TYPE CROSS-WALK

PROFESSIONAL CERTIFICATION
 I HEREBY CERTIFY THAT DOCUMENTS WERE PREPARED OR APPROVED BY ME, AND THAT I AM A DULY LICENSED PROFESSIONAL ENGINEER UNDER THE LAWS OF THE STATE OF MARYLAND. LICENSE NO. 12042 EXPIRATION DATE: 7/15/2012

| CROSS REFERENCE | |
|-------------------------------------|------------|
| ITEM | SHEET NOS. |
| TITLE SHEET | 1 |
| GEOMETRY SHEET | 2-4 |
| TYPICAL SECTIONS | 5-6 |
| PLAN SHEETS | 7-22 |
| PROFILE SHEET | 23 |
| RETAINING WALL PLAN AND DETAILS | 25-27 |
| BRIDGE PLAN AND DETAILS | 28-39 |
| STREAM RESTORATION PLAN AND DETAILS | 40-49 |
| E & S CONTROL PLAN AND DETAILS | 50-68 |
| TRAFFIC CONTROL PLANS | 69-81 |
| TREE SAVE/FC EXEMPTION PLANS | 82-98 |
| LANDSCAPING PLANS | 99-115 |
| SIGNING AND PAVEMENT MARKING PLANS | 116-131 |
| LIGHTING PLANS AND DETAILS | 132-135 |

AMT
 A. MORTON THOMAS AND ASSOCIATES, INC.
 CONSULTING ENGINEERS
 12750 TWINBROOK PARKWAY, SUITE 200, ROCKVILLE MD 20852
 TEL (301) 881-2548 FAX (301) 881-8814
 E-MAIL: AMT@AMTENGINEERING.COM
 AMT FILE # 100-0338-01

WR
 WHITNEY BAILEY COX MAGNANI
 CONSULTING ENGINEERS
 849 FAIRMOUNT AVENUE SUITE 100
 BALTIMORE, MD 21286
 (410) 512-4500

A JOINT VENTURE

| NO. | REVISION | DATE | BY |
|-----|----------|------|----|
| | | | |

INTERSECTION IMPROVEMENTS MODIFICATION 09/20/14 JCS

MONTGOMERY COUNTY DEPARTMENT OF PUBLIC WORKS AND TRANSPORTATION
 ROCKVILLE, MARYLAND

RECOMMENDED FOR APPROVAL

Chief, Design Section _____ Date _____
 APPROVED

Chief, Division of Capital Development _____ Date _____

Designed by: MJC Drawn by: MJC Checked by: BVW

MACARTHUR BOULEVARD BIKEWAY IMPROVEMENTS
 I-495 TO OBERLIN AVENUE
 SIGNING & PAVEMENT MARKING PLAN
 STA. 116+00 TO 125+00

SCALE: 1" = 30'

Project No.: CIP 500718 SHEET 127 of 135